



GDT > 4532 series

Features

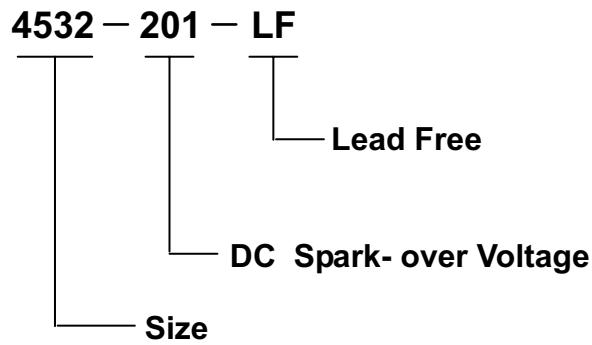
- ✧ High insulation resistance.
- ✧ Low capacitance ($\leq 0.5\text{pF}$).
- ✧ Accord with IEC61000-4-5 standard. Max Surge current capacity 2000A 8/20 μs .
- ✧ Accord with ITU-TK.21 standard 4KV 10/700 μs
- ✧ Surface Mounted Gas Arrester
- ✧ Micro-Gap Design
- ✧ Size 4532(1812)
- ✧ Storage and operational temperature: $-40^{\circ}\text{C} \sim +85^{\circ}\text{C}$
- ✧ Meets MSL level 1, per J -STD-020



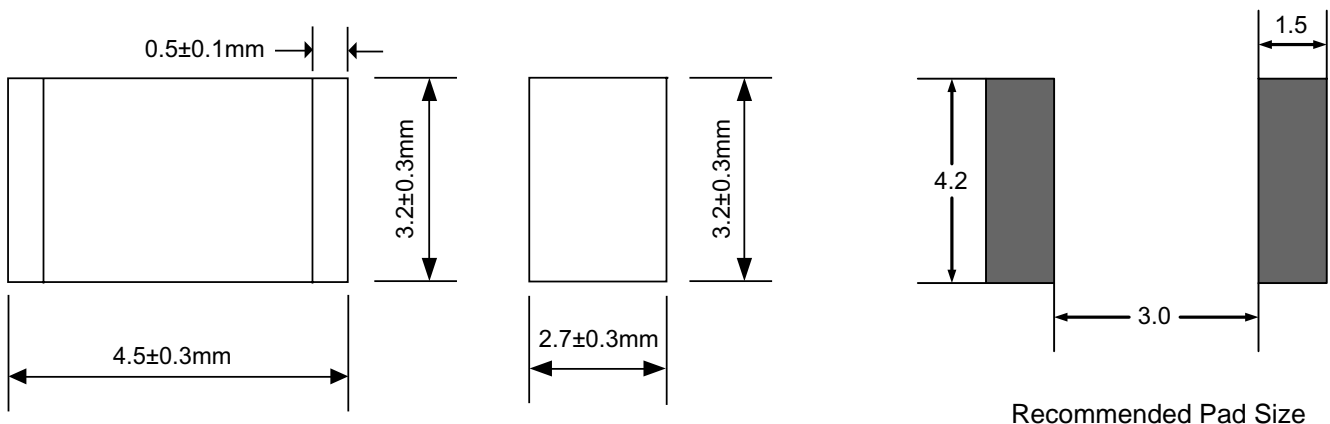
Application

- ✧ Repeaters, Modems.
- ✧ Telephone Interface, Line cards.
- ✧ Data communication equipment.
- ✧ Line test equipment.

Part Number Code



Dimensions





GDT > 4532 series

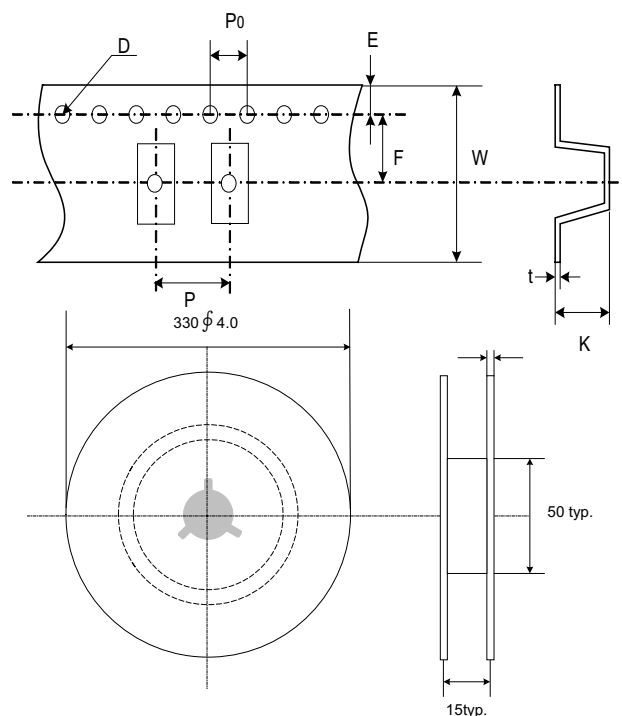
Electrical Characteristic

Part Number	DC Spark-over Voltage	Impulse Life Test	Minimum Insulation Resistance		Maximum Capacitance	Nominal Impulse Discharge Current	Impulse Discharge Voltage
	(V)	8/20 μ s 100A	Test Voltage	(G Ω)	(1MHz 1V)	8/20 μ s	
		(Times)	DC(V)		(pF)	(A)	
4532-091-LF	90 \pm 30%	300	50	1	0.5	2000	10/700 μ s 4kV \pm 5 Times
4532-121-LF	120 \pm 30%	300	50	1	0.5	2000	
4532-151-LF	150 \pm 30%	300	50	1	0.5	2000	
4532-201-LF	200 \pm 30%	300	100	1	0.5	2000	
4532-231-LF	230 \pm 30%	300	100	1	0.5	2000	
4532-301-LF	300 \pm 30%	300	100	1	0.5	2000	
4532-351-LF	350 \pm 30%	300	100	1	0.5	2000	
4532-401-LF	400 \pm 30%	300	100	1	0.5	2000	
4532-421-LF	420 \pm 30%	300	100	1	0.5	2000	
4532-471-LF	470 \pm 30%	300	100	1	0.5	2000	
4532-501-LF	500 \pm 30%	300	100	1	0.5	2000	
4532-601-LF	600 \pm 30%	300	100	1	0.5	2000	

Chip GDT Taping

unit :mm

Item	Spec.
P	8.0 \pm 0.1
P0	4.0 \pm 0.1
W	12.0 \pm 0.3
F	5.45 \pm 0.1
E	1.75 \pm 0.1
D	Φ 1.55 \pm 0.05
K	3.5 \pm 0.2
t	0.3 \pm 0.1



Quantity: 2500 pcs per reel (13")