



MF11 温度补偿型热敏电阻器

● 特点 **FEATRUE:**

体积小、重量轻、阻值范围宽、响应速度快。

Small volume, light, wide resistance range, fast response time

● 用途 **APPLICATION**

温度补偿以及一般精度温度测量。

Temperature compensation, normal precision temperature measurement

● 主要技术参数 **SPECIFICATION:**

温度范围 Operating temperature: $-55^{\sim}+125^{\circ}\text{C}$

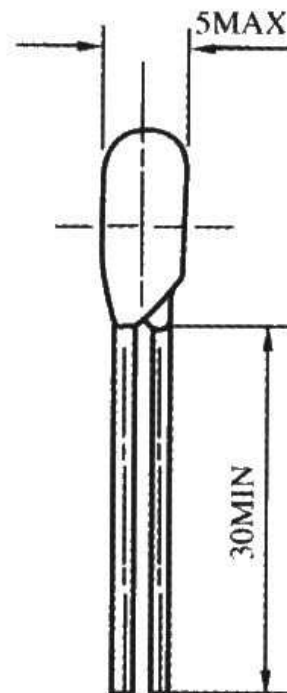
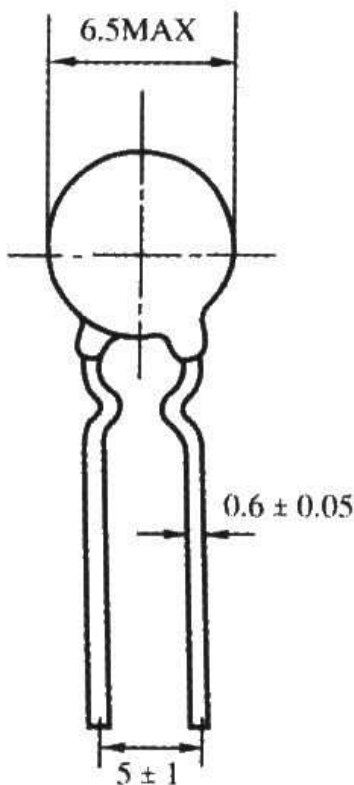
耗散系数 Thermal dissipation constant: $\geq 6\text{mW}/^{\circ}\text{C}$

热时间常数 Thermal time constant: $\leq 30\text{S}$

阻值误差 Rated resistance tolerance: J $\pm 5\%$, K $\pm 10\%$, L $\pm 15\%$, M $\pm 20\%$

B value: $25/85^{\circ}\text{C}$

● 外形尺寸 **DIMENSION** (unit: mm):





MF11 温度补偿型热敏电阻器

规格 Part No.	标称阻值 Resistance at 25°C (Ω)	B 值 B Value	规格 Part No.	标称阻值 Resistance at 25°C (Ω)	B 值 B Value
MF11-050	5	2400	MF11-122	1200	3800
MF11-100	10	2800	MF11-152	1500	3800
MF11-150	15	2800	MF11-202	2000	4000
MF11-200	20	2800	MF11-222	2200	4000
MF11-220	22	2800	MF11-272	2700	4000
MF11-270	27	3000	MF11-332	3300	4000
MF11-330	33	3000	MF11-392	3900	4000
MF11-390	39	3000	MF11-472	4700	4050
MF11-470	47	3100	MF11-502	5000	4050
MF11-500	50	3100	MF11-562	5600	4050
MF11-680	68	3100	MF11-682	6800	4050
MF11-820	82	3100	MF11-822	8200	4050
MF11-101	100	3200	MF11-103	10000	4050
MF11-121	120	3200	MF11-123	12000	4050
MF11-201	200	3200	MF11-153	15000	4150
MF11-221	220	3500	MF11-203	20000	4300
MF11-271	270	3500	MF11-303	30000	4300
MF11-331	330	3500	MF11-503	50000	4300
MF11-391	390	3500	MF11-104	100000	4500
MF11-471	470	3500	MF11-124	120000	4700
MF11-501	500	3500	MF11-154	150000	4700
MF11-561	560	3500	MF11-204	200000	4700
MF11-681	680	3800	MF11-304	300000	4700
MF11-821	820	3800	MF11-504	500000	4800
MF11-102	1000	3800	MF11-105	1000000	4900

注：可制作标称阻值 5Ω~2MΩ，B 值 2200~4900K 之系列产品

Note: Resistance range: 5~2MΩ, B value range:2200~4900K